



SWS

HARDWARE

FLEXYLED SE H4-24(TEMPERATURE CHANGING)

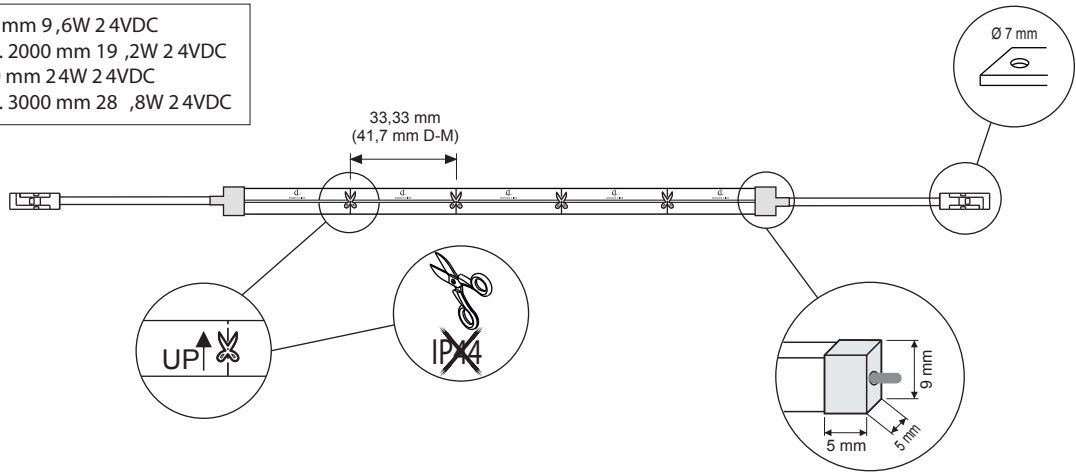


24VDC

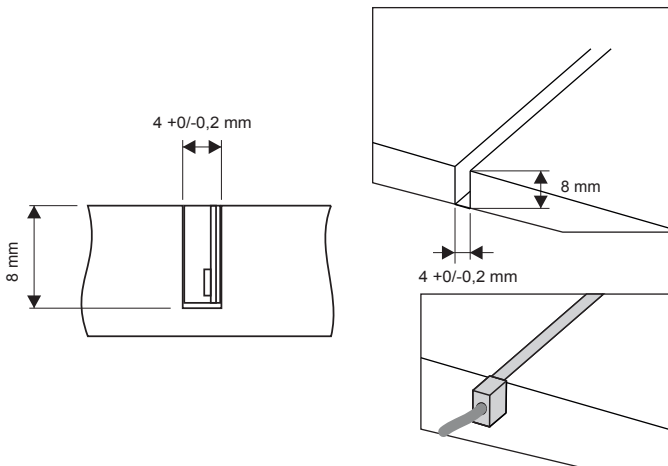
FLEXYLED SE H4-24(TEMPERATURE CHANGING)



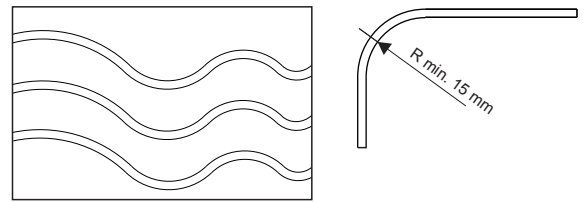
- FLEX YLED SE H4-2 4 L. 1000 mm 9,6W 24VDC
- FLEX YLED SE H4-2 4 (D-M) L. 2000 mm 19 ,2W 2 4VDC
- FLEX YLED SE H4-2 4 L. 2 500 mm 24W 24VDC
- FLEX YLED SE H4-2 4 (D-M) L. 3000 mm 28 ,8W 2 4VDC



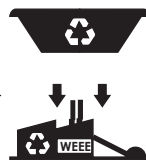
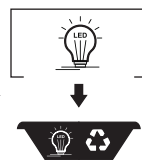
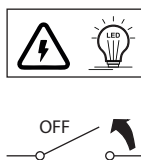
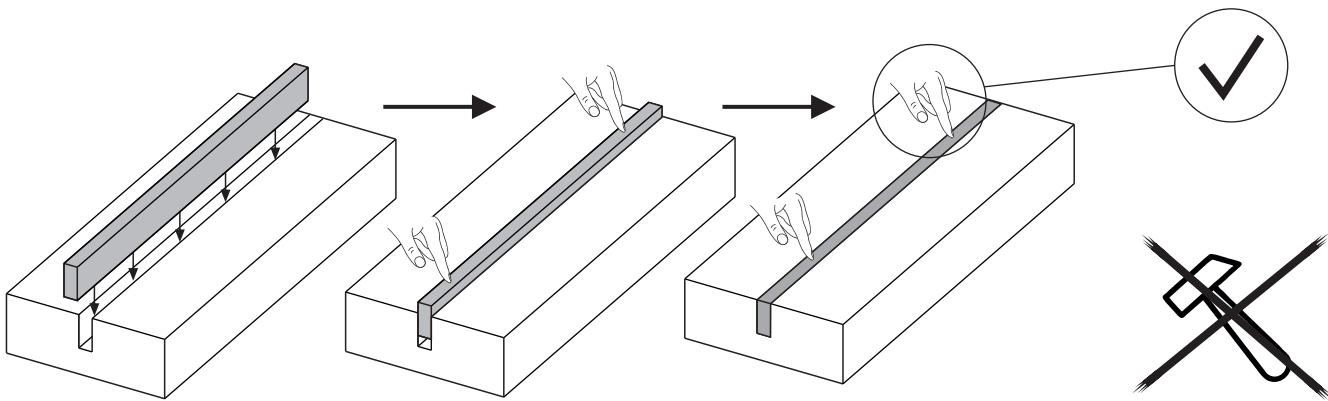
FLEXYLED SE H4-24(TEMPERATURE CHANGING)



FLEXYLED SE H4-24(TEMPERATURE CHANGING)



FLEXYLED SE H4-24(TEMPERATURE CHANGING)

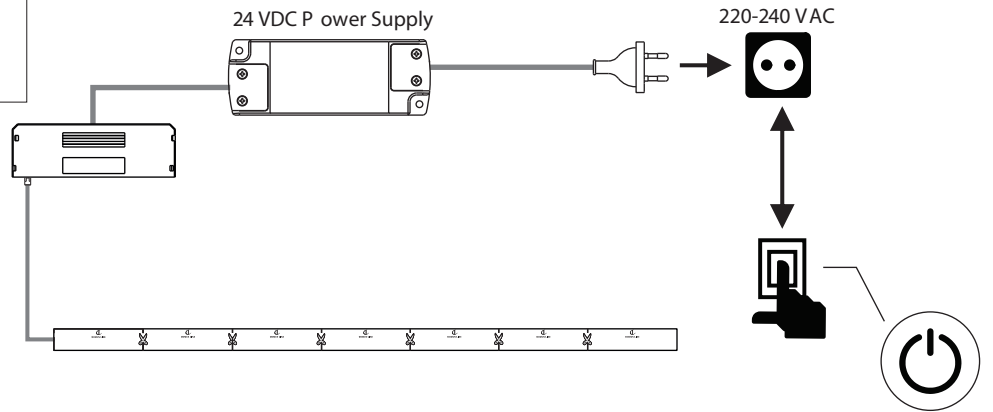




FLEXYLED SE H4-24(TEMPERATURE CHANGING)



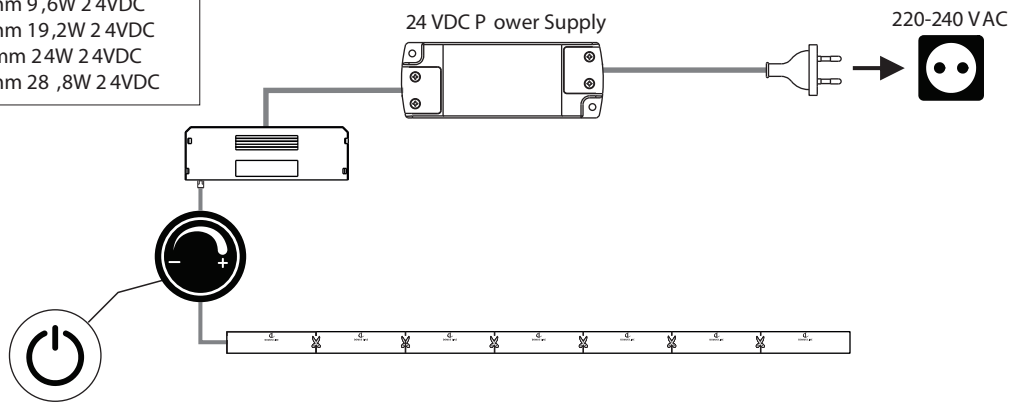
- FLEX YLED SE H4-2 4 L. 1000 mm 9,6W 2 4VDC
- FLEX YLED SE H4-2 4 L. 2000 mm 19,2W 2 4VDC
- FLEX YLED SE H4-2 4 L. 2 500 mm 24W 2 4VDC
- FLEX YLED SE H4-2 4 L. 3000 mm 28 ,8W 2 4VDC



FLEXYLED SE H4-24(TEMPERATURE CHANGING)



- FLEX YLED SE H4-2 4 L. 1000 mm 9,6W 2 4VDC
- FLEX YLED SE H4-2 4 L. 2000 mm 19,2W 2 4VDC
- FLEX YLED SE H4-2 4 L. 2 500 mm 24W 2 4VDC
- FLEX YLED SE H4-2 4 L. 3000 mm 28 ,8W 2 4VDC



FLEXYLED SE H4-24(TEMPERATURE CHANGING)



- FLEX YLED SE H4-2 4 D-M L. 2000 mm 19 ,2W 2 4VDC
- FLEX YLED SE H4-2 4 D-M L. 3000 mm 28 ,8W 2 4VDC

